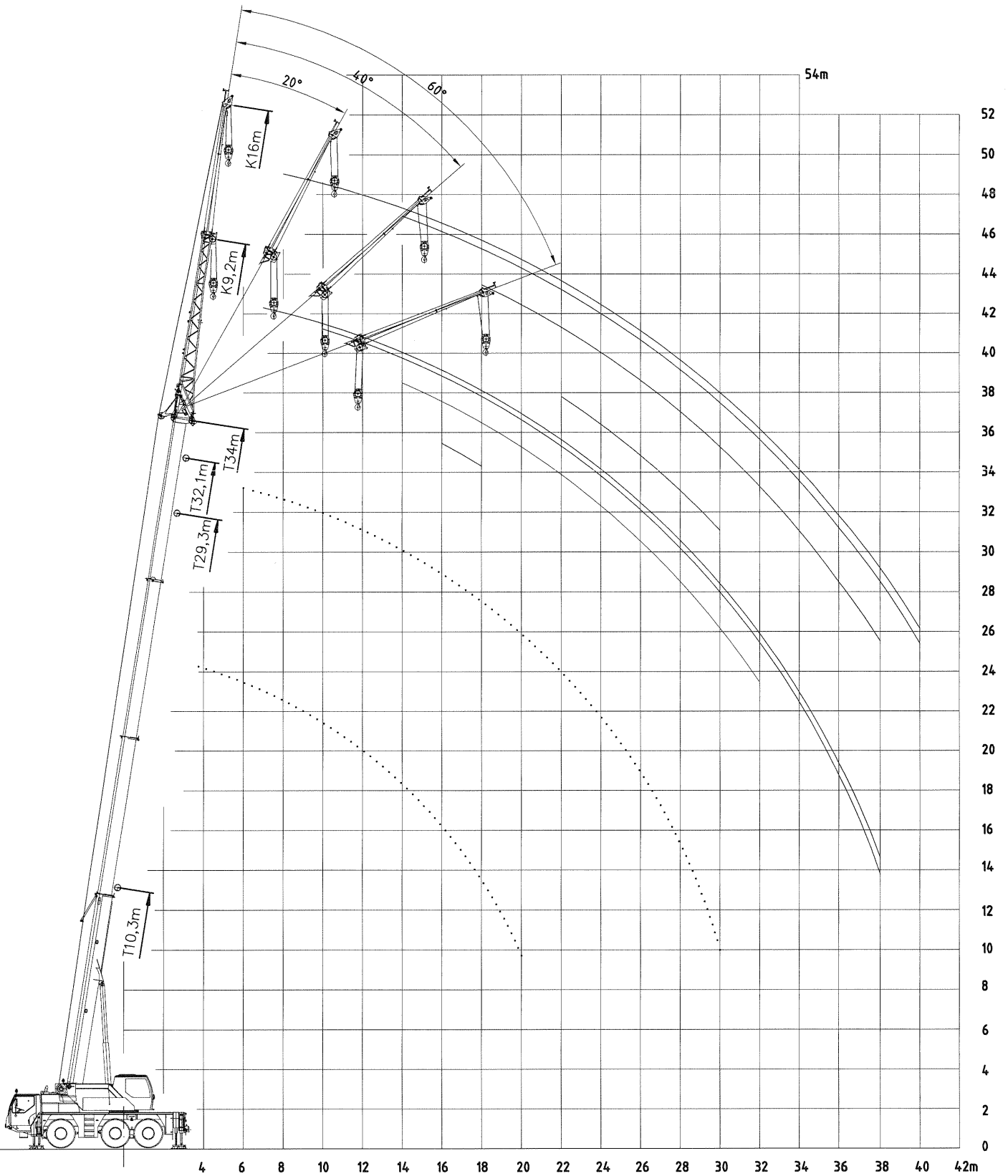




# *Weg-terrein kraan 50 ton*

Nijkerkerweg 138  
3771 LB Barneveld  
telefoon 0342-492464  
fax 0342-492912  
e-mail [info@bkv.nl](mailto:info@bkv.nl);  
[www.bkv.nl](http://www.bkv.nl)

# LIEBHERR 50 TON



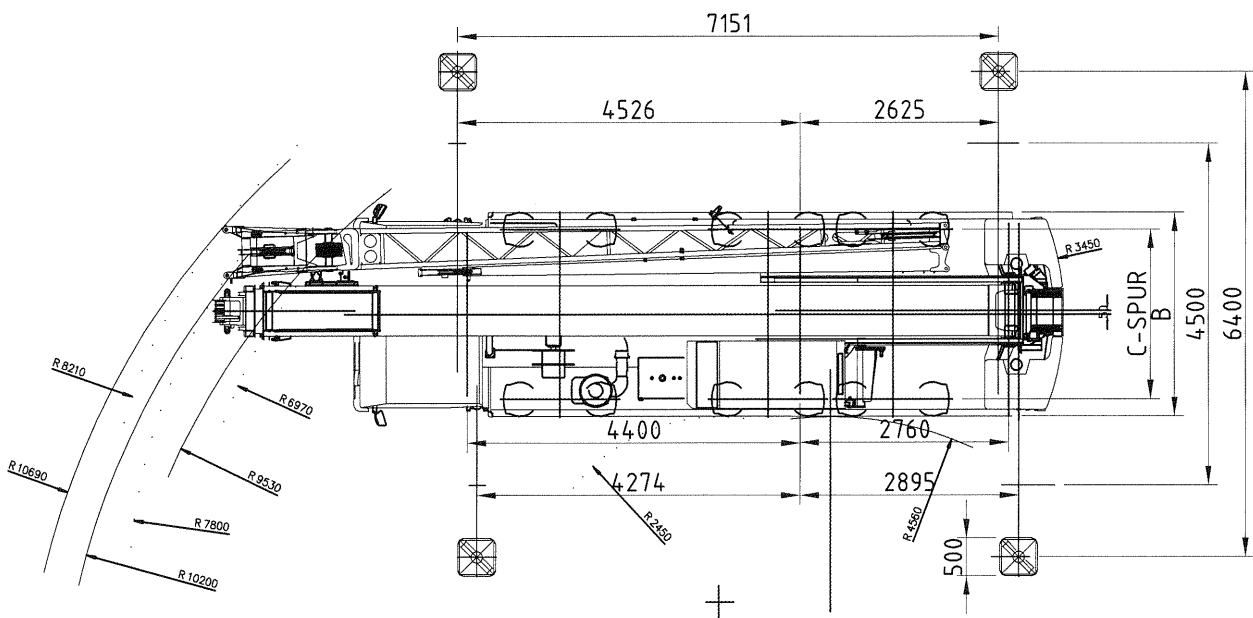
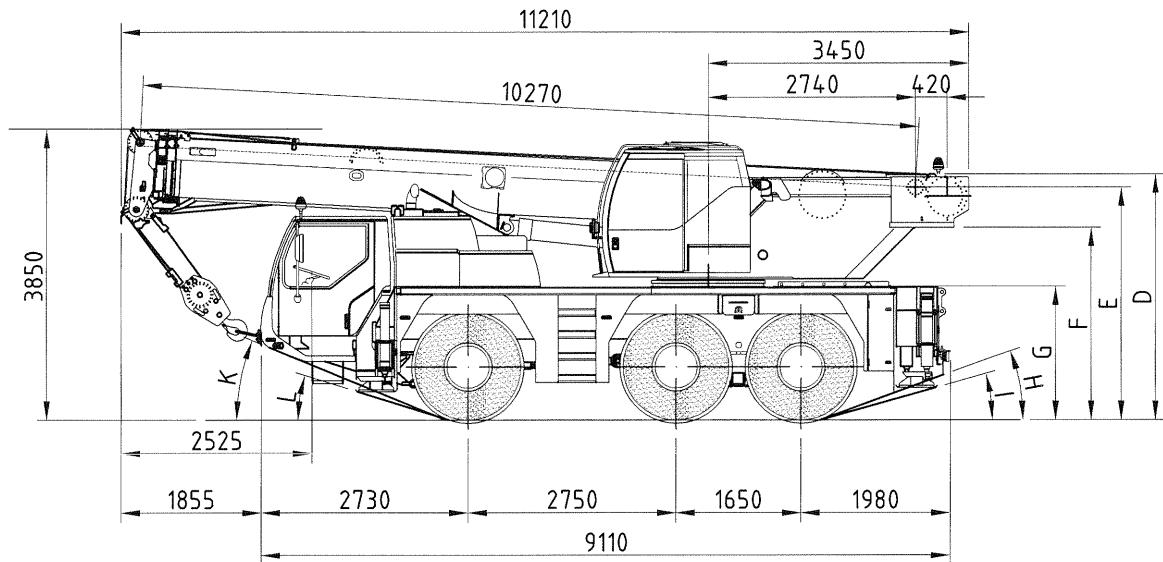
# HIJSTABEL LIEBHERR - 50 TON

Kraan afgestempeld, Stempelbasis 7.16 x 6.4m  
360° Werkbereik, 7.0 ton contra-gewicht

Vlucht radius meters	Gieklengte in meters												Klapjib 9.2 m				Klapjib 16 m				Vlucht Radius Meters
	10.3*	10.3	15	19.8	24.5	29.3	32.1	34	34				34								
	50	45	40.4						0°	20°	40°	60°	0°	20°	40°	60°					
3																					
3.5				25.7	24.8																
4				32.9	26.3	24.4															
4.5				29.9	26.9	22.9	19.3	15.4													4.5
5				32	27	25.9	21.5	18.2	14.9	12											5
6				27.2	22.5	22.9	19	16.3	13.7	11.7	9.8										6
7				20.9	18.6	19.1	17	14.8	12.7	11.4	9.3	5.1									7
8						15.8	15.4	13.4	11.6	10.6	8.9	5.1		2.6							8
9						13.4	13.4	12.3	9.8	9.9	8.4	5		2.6							9
10						11.2	11.4	10.9	10	9.3	8	5	4.3	2.6							10
12						8.1	8.3	8.4	8.1	8.9	7.3	4.6	4.2	2.5							12
14							7.3	6.4	6.5	6.4	6.3	4.3	4	2.4	2.1						14
16							5	5.1	5.2	5.2	5.1	4.1	3.9	2.3	2						16
18								4	4.2	4.2	4.1	3.8	3.7	2.3	2						18
20								3.3	3.4	3.4	3.4	3.5	3.5	2.2	1.9	1.7					20
22									2.8	2.8	2.8	3	3.2	2.1	1.8	1.7	1.5				22
24									2.3	2.4	2.3	2.5	2.8	2	1.8	1.6	1.4				24
26									1.9	1.9	1.9	2.1	2.3	2	1.7	1.6	1.4				26
28										1.6	1.6	1.8	2	1.9	1.7	1.6	1.4				28
30											1.3	1.5	1.6	1.6	1.7	1.6	1.4				30
32												1.2	1.3	1.4	1.4	1.6	1.6				32
34												1	1.1								34
36												0.8	0.9								36
38												0.6	0.7								38
40																					40

\* gepend over achterzijde

# LIEBHERR 50 TON



## AFMETINGEN

A	3850
B	2680
C	2231
D	3250
E	3073
F	2540
G	1760
H	19°
I	15°
K	22°
L	17°