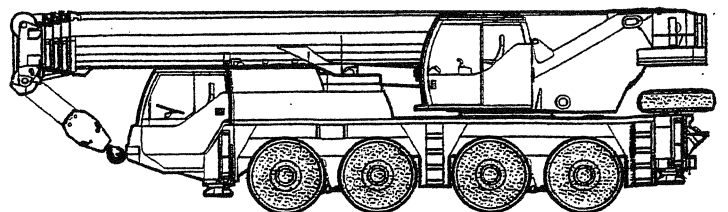
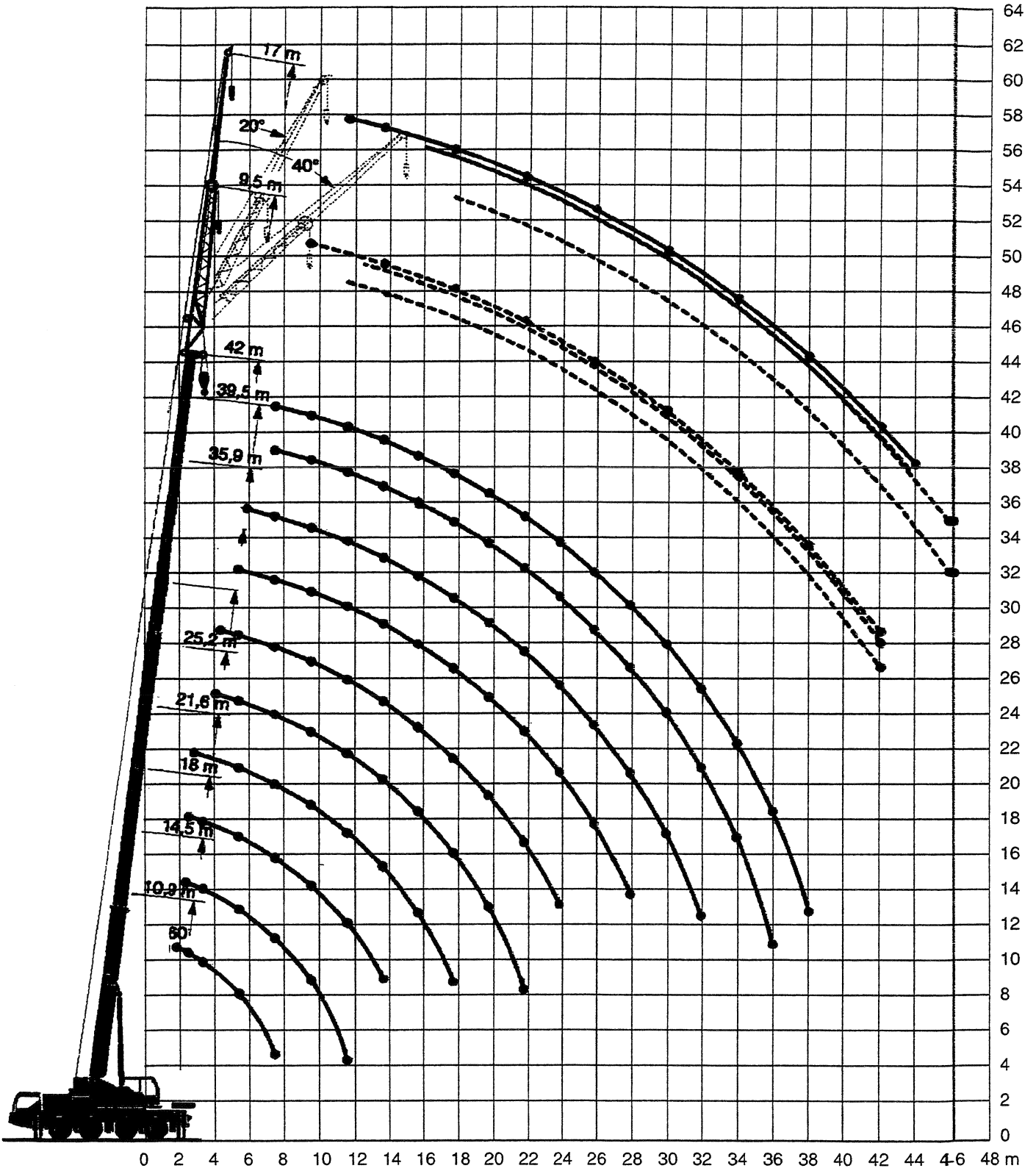




# *Weg-terrein kraan 70 ton*

Nijkerkerweg 138  
3771 LB Barneveld  
telefoon 0342-492464  
fax 0342-492912  
e-mail [info@bkv.nl](mailto:info@bkv.nl);  
[www.bkv.nl](http://www.bkv.nl)

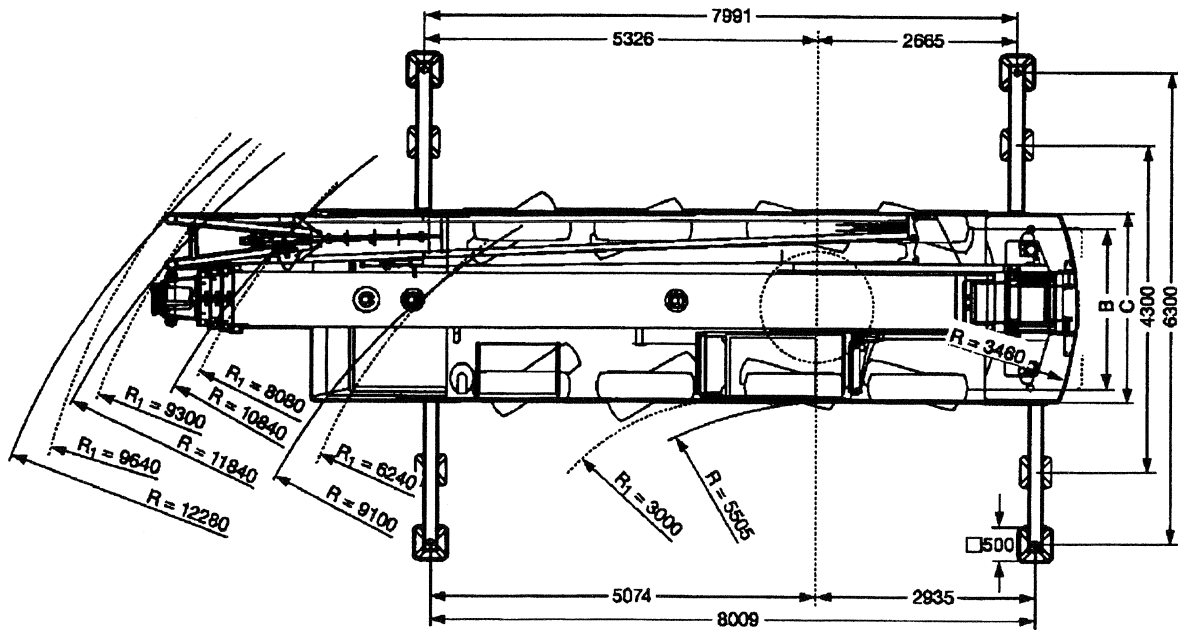
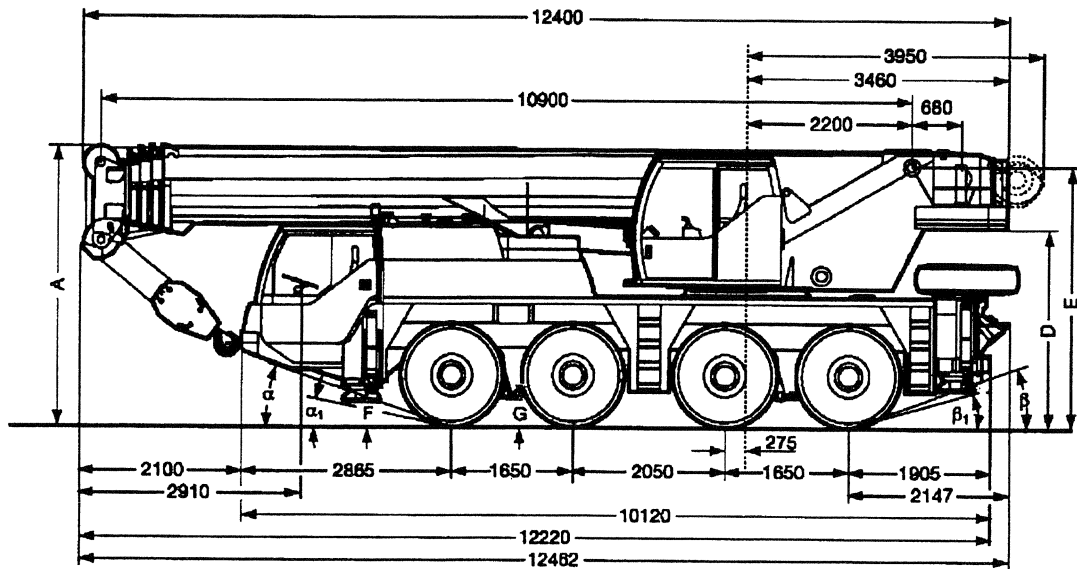


# HIJSTABEL LIEBHERR - 70 TON

Kraan afgestempeld, Stempelbasis 8.0 x 6.3m  
360° Werkbereik, 12 ton contra-gewicht

Vlucht radius meters	Gieklengte in meters														Klapjib 9.5 m			Klapjib 17 m			Vlucht Radius Meters
	10.9	14.5	18.0	21.6	25.2	28.8	32.4	35.9	39.5	42	42		42		42						
	0°	20°	40°	0°	20°	40°	0°	20°	40°												
2.5	70																				
3	51	51	45																3		
3.5	46.5	46	41.7	37.2															3.5		
4	42.5	42	38.7	34.7															4		
4.5	38.5	38	36.2	32.7	27.5														4.5		
5	35.5	35	33.7	30.7	27.8	24.7													5		
6	29.6	29.2	28.9	26.9	24.8	22.2	19.5												6		
7	25.1	24.6	24.3	23.9	22.2	20	18	15.1											7		
8	21.2	21.3	20.7	20.1	19.5	18.2	16.7	14.1	11.6	9.9									8		
9		18.2	18.3	16.8	16.7	15.9	15.3	13.2	10.9	9.3									9		
10		15.5	15.6	14.1	14.3	13.7	13.6	12.4	10.3	8.9	6								10		
12		11.7	11.8	11.1	11.6	10.6	10.6	10.6	9.2	8	5.9				3.5				12		
14			9.2	9.7	9	8.9	8.4	8.5	8.3	7.3	5.4	5.1		3.3					14		
16				7.8	7.1	7.6	6.7	7.3	7	6.7	5	4.7	4.6	3.2					16		
18				6.5	6.3	6.3	5.9	6.1	5.8	5.8	4.6	4.4	4.4	3.1	2.8				18		
20					5.4	5.1	4.9	4.8	4.5	4.5	4.2	4.2	4.1	3.1	2.7				20		
22					4.4	4.4	4.2	4.1	3.8	3.8	3.7	3.8	3.9	3	2.6	2.3			22		
24						3.8	3.6	3.5	3.2	3.2	3.2	3.4	3.6	2.9	2.5	2.3			24		
26						3.3	3.1	3	2.7	2.7	2.7	2.9	3.1	2.7	2.5	2.2			26		
28							2.7	2.6	2.3	2.3	2.3	2.5	2.6	2.4	2.4	2.2			28		
30							2.3	2.2	1.9	1.9	2	2.1	2.3	2.1	2.4	2.2			30		
32								1.9	1.6	1.6	1.6	1.8	1.9	1.8	2.1	2.2			32		
34									1.3	1.3	1.4	1.5	1.6	1.5	1.8	2			34		
36									1.1	1.1	1.1	1.3	1.3	1.3	1.6	1.8			36		
38										0.8	0.9	1	1.1	1.1	1.3	1.5			38		
40											0.7	0.8		0.9	1.1	1.3			40		
42												0.6		0.7	0.9	1			42		
44															0.7	0.8			44		
46																0.6			46		

# Afmetingen Liebherr 70-ton



Maten

	A	A	B	C	D	E	F	G	a	a1	β	β1
		100 mm*										
14.00 R 25	3770	3670	2153	2550	2650	3468	340	410	20°	14°	18°	14°
16.00 R 25	3820	3720	2231	2680	2700	3518	390	460	22°	17°	20°	16°