



*...meer dan
aanhaken!*

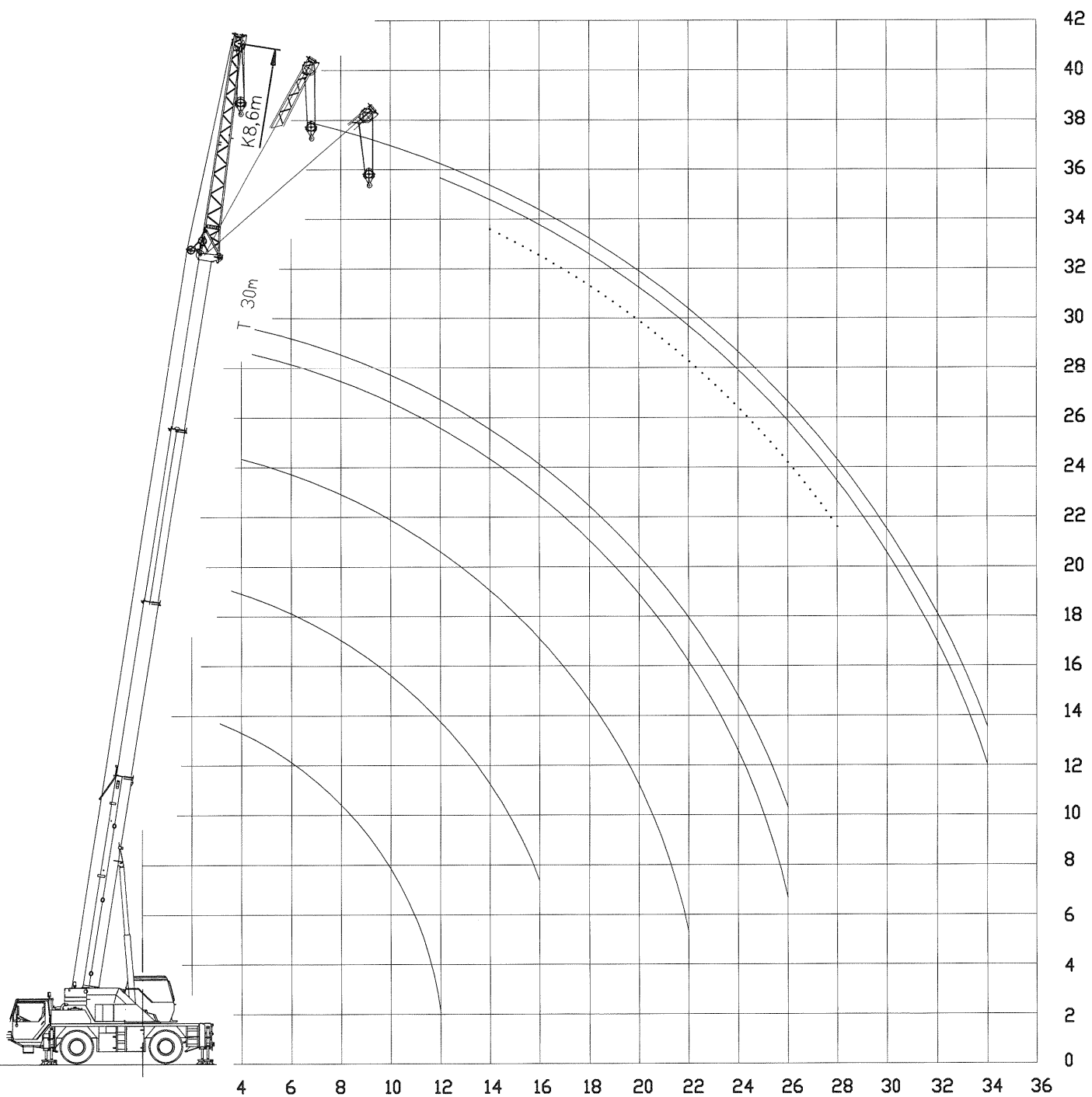
Barneveldse KraanVerhuur bv

Weg-terrein kraan 40 ton

Nijkerkerweg 138
3771 LB Barneveld
telefoon 0342-492464
fax 0342-492912
e-mail info@bkv.nl;
www.bkv.nl

Kraan 40 TON

vlucht tabel



HIJSTABEL - 40 TON

Kraan afgestempeld, Stempelbasis 6.27 x 6.0m
360° Werkbereik, 5.5 ton contragewicht

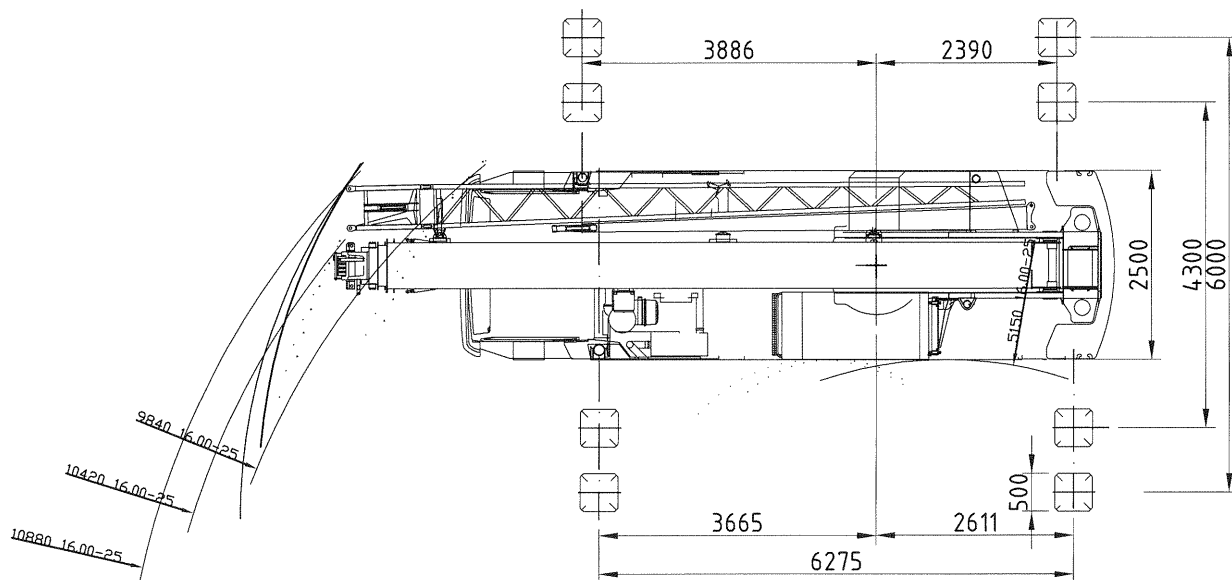
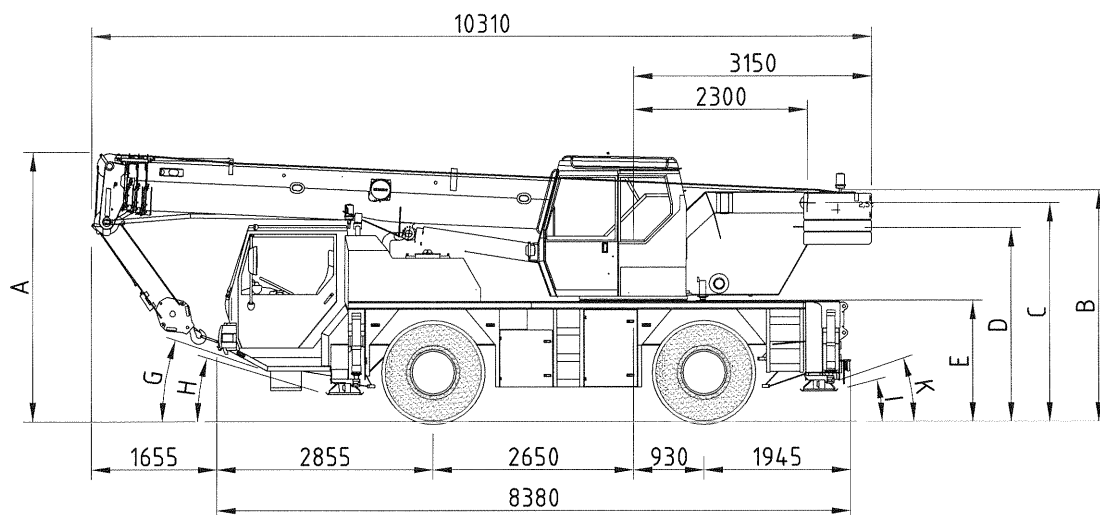
Vlucht radius meters	Giek lengten in meters						Klabjib 0°	Klabjib 20°	Klabjib 40°
	9.2	14.4	19.6	24.8	29.0	30.0	8.6 m.	8.6 m.	8.6 m.
							30.0	30.0	30.0
2.5	40.0								
3	30.0	18.9							
3.5	26.8	19.3	17						
4	24.3	19.8	17.4	12.9					
4.5	22.3	20.4	17.4	12.9	8.9	8.2			
5	20.3	20.4	16.7	12.9	8.9	8.2			
6	16.6	16.9	15.6	12.9	8.9	8.2			
7		14.9	12.9	11.9	8.9	8.2	5.3		
8		11.1	10.8	10.1	8.5	7.8	5.2		
9		9.1	9.3	8.7	8.1	7.5	5.0		
10		7.7	7.9	7.6	7.3	7.1	4.9		
12		5.6	5.8	5.9	5.7	5.7	4.6	3.8	
14			4.5	4.6	4.6	4.6	4.3	3.6	3.0
16			3.6	3.7	3.7	3.7	3.7	3.4	2.9
18				2.9	2.9	2.8	3.0	3.2	2.9
20				2.4	2.3	2.3	2.5	2.7	2.8
22				2	1.9	1.9	2.1	2.2	2.4
24					1.6	1.6	1.7	1.9	2.0
26					1.3	1.3	1.5	1.6	1.7
28							1.2	1.3	1.4
30							1.0	1.1	
32							0.9	0.9	
34							0.7	0.7	

Kraan afgestempeld, Stempelbasis 6.27 x 4.3m
360° Werkbereik, 5.5 ton contragewicht

Vlucht radius meters	Giek lengten in meters					
	9.2	14.4	19.6	24.8	29.0	30.0
3	25.8	18.9				
3.5	23	19.3	17			
4	20.6	19.8	17.4	12.9		
4.5	18.7	16.9	15	12.9	8.9	8.2
5	16.4	14.6	13.2	11.9	8.9	8.2
6	11.8	11.3	10.4	9.	8.9	8.2
7		9.2	8.5	7.9	7.5	7.4
8		7.4	7.1	6.7	6.3	6.2
9		6.1	6.1	5.7	5.3	5.3
10		5	5.2	4.9	4.7	4.6
12		3.6	3.7	3.8	3.6	3.5
14			2.7	2.8	2.7	2.7
16			2.1	2.2	2.1	2.1
18				1.7	1.6	1.6
20				1.3	1.3	1.3
22				1	1	1
24					0.8	0.7
26					0.5	0.5



Kraan 40 TON afmetingen



AFMETINGEN	
A	3600
B	3100
C	2934
D	2604
E	1648
G	20°
H	19°
I	17°
K	21°



meer dan aanbaken!