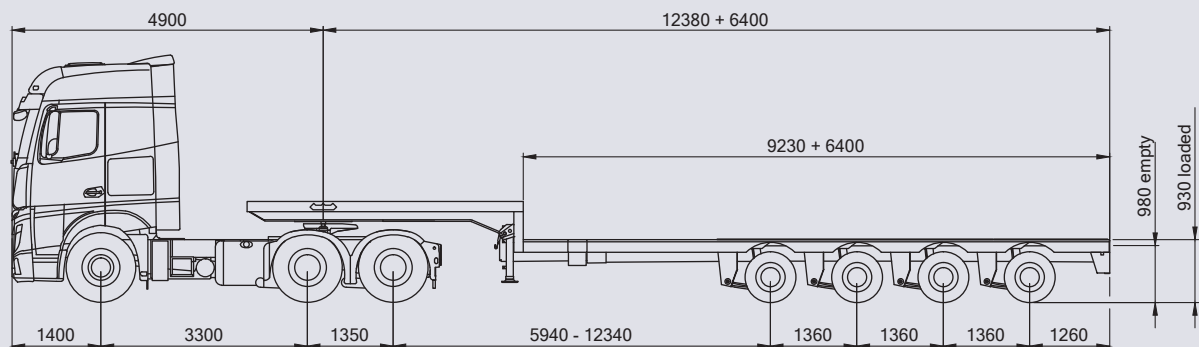


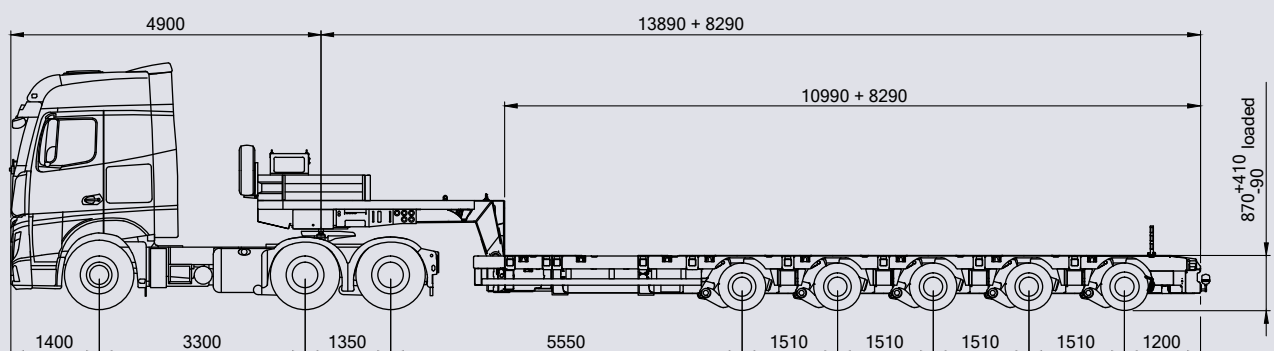
Specifications

Load capacity	40 t (with transport authorization)
Single extendable load floor	
Hydropneumatic suspension with raise/lower function	



Specifications

Load capacity	60 t (with transport authorization)
Technical axle load	12 t
Single extendable load floor	
Hydropneumatic suspension with raise/lower function	



Specifications

Load capacity	80 t (with transport authorization)
Double extendable load floor	
Hydropneumatic suspension with raise/lower function	

